

# US-RK-VFF30-2

Repair Kit

## DESCRIPTION

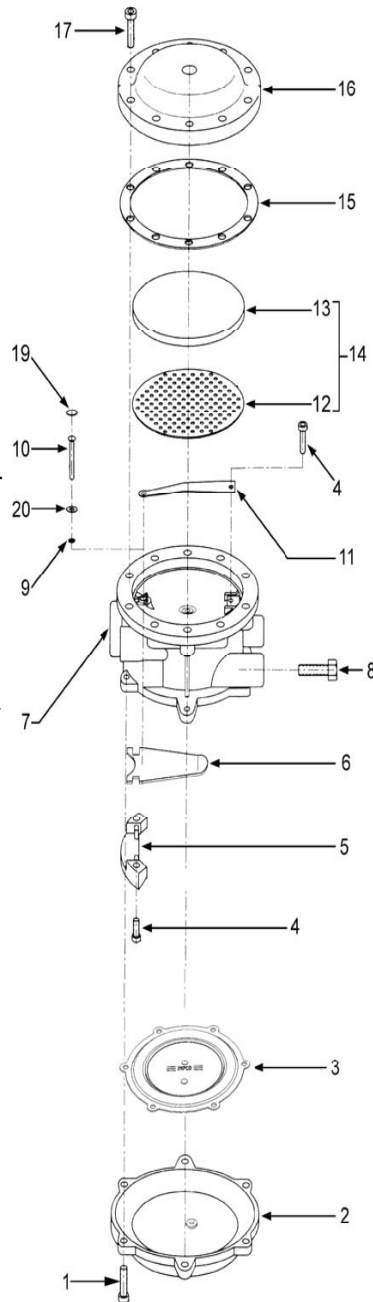
The model VFF30 is a combination fuel lockoff and filter, engineered for use with LPG (liquid or vapor) or Natural Gas Vapor. A pressure of 0.5" Hg (1.69 kPa) is required to open the lockoff. The VFF30 is suitable for engines up to 325 hp (242 kW) at a maximum working pressure of 312 psi (21.5 Bar). The extra large capacity filter element is fully serviceable.

## INSTALLATION SAFETY PRECAUTION

1. Do NOT use Teflon thread tape on any of the NPT pipe-thread fittings where fuel travels. Use a suitable fuel-resistant joint compound.
2. Be sure to leak-check all fittings and covers for fuel tanks, using a soapy solution.
3. Be sure to use proper mounting bolts to secure the lockoff. Bolts which are too long may cause severe damage to the lockoff.

## SPECIFICATIONS

Fuel Type.....	LPG Liquid/Vapor, Natural Gas Vapor
Inlet Pressure (maximum).....	312 psi (21.51 Bar)
Flow Rate.....	26.7 CFM (12.6 L/s)
Operating Temperature Range.....	-40°F to +250°F (-40°C to +121°C)
Filtration Requirement.....	40 Micron
Vacuum Activation	
Minimum Opening.....	0.50" w.c. (0.12kPa)
Fully Opened.....	11.5" w.c. (2.86 kPa)
Minimum Operating Opening.....	2.0" w.c. (0.50 kPa)
Mounting Position.....	Vertical
Certification.....	UL (AU1502) Inquire for specific ECE approval



US-RK-VFF30-2 Repair Kit		
ITEM #	PART #	Description
1	US-S1-59*	Screw, 8-32 x 5/8"
2	US-C1-37	Diaphragm Cover
3	US-AD1-27-3*	Diaphragm Assembly,
4	US-S1-59	Screw, 8-32 x 5/8" (2)
5	US-F3-2	Fulcrum
6	US-L1-39	Valve Operating Lever
7	US-AB1-34	Body Assembly
8	US-S1-5	Screw, 1/4-20 x 5/8"
9	US-S3-42*	Seal, Lip Pin
10	US-P1-15*	Valve, Operating Pin
11	US-S2-40	Valve, Spring
12	US-S7-3*	Screen, Back-up Filter
13	US-F1-10*	Filter
14	US-AF1-10	Filter Assy (Includes
15	US-G1-89*	Filter Cover Gasket
16	US-C1-38	Filter Cover
17	US-S1-100*	Screw, 12-24 x 3/4"
18	US-AF4-66	Fitting, Ball Check,
19	US-S4-18*	Seat, Valve
20	US-W1-42*	Washer, Seal Retain-

\* Included in Repair Kit