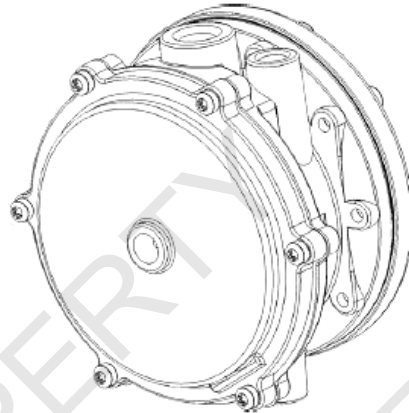




CENTURY FUEL PRODUCTS

MODEL US- VFF30 VACUUM FUEL LOCK/FILTER



TECHNICAL DESCRIPTION

The **CENTURY Model US-VFF30** is a combination fuel lockoff and filter, engineered for use with LPG (liquid or vapor) or Natural Gas Vapor. It is available with hydrin, silicone and fluorosilicone diaphragms. A pressure of 0.5" Hg (1.69 kPa) is required to open the lockoff. The VFF30 is suitable for engines up to 325 hp (242 kW) at a maximum working pressure of 312 psi (21.51 Bar). The extra large capacity filter element is fully serviceable.

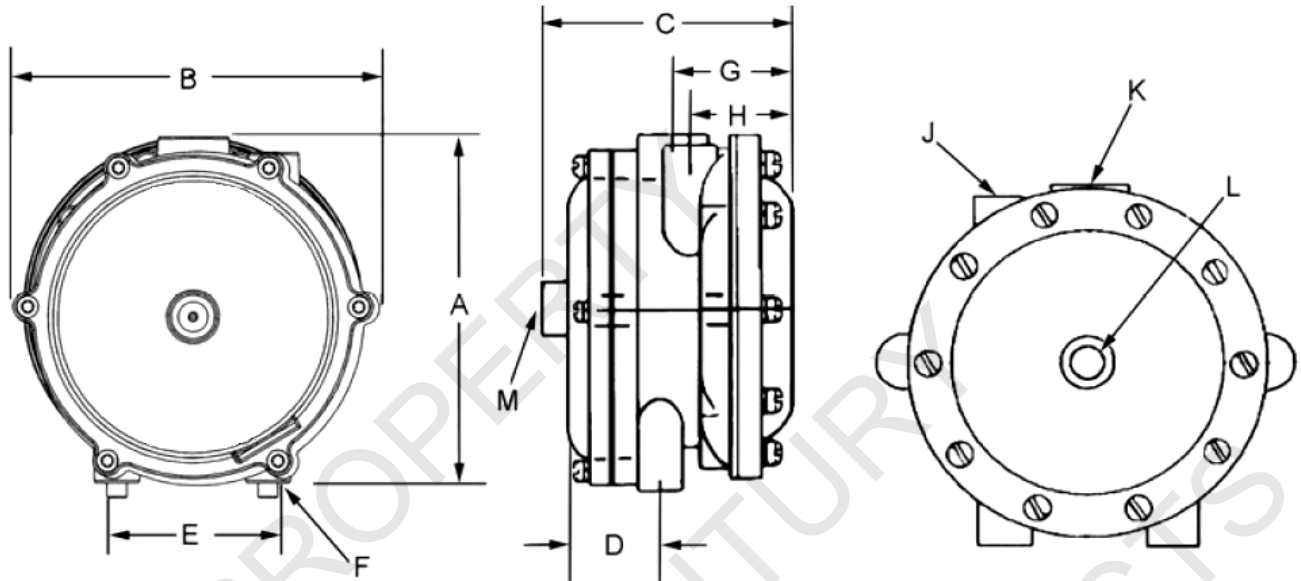
TECHNICAL SPECIFICATIONS

Fuel Type	LPG Liquid/Vapor, Natural Gas Vapor
Inlet Pressure (maximum).....	312 psi (21.51 Bar)
Flow Rate.....	26.7 CFM (12.6 L/s)
Operating Temperature Range	-40°F to +250°F (-40°C to +121°C)
Filtration Requirement	40 micron
Vacuum Activation	
Minimum Opening.....	0.50" w.c. (0.12kPa)
Fully Opened.....	11.5" w.c. (2.86 kPa)
Minimum Operating Opening....	2.0" w.c. (0.50 kPa)
Mounting Position	Vertical (as shown above)



CENTURY FUEL PRODUCTS

MODEL US-VFF30 VACUUM FUEL LOCK/FILTER



P/N	DIAPHRAGM TYPE	A OVERALL HEIGHT	B OVERALL WIDTH	C OVERALL DEPTH	D FRONT OF FUEL LOCK TO CENTER OF MOUNTING HOLE	E MOUNTING HOLES CENTER TO CENTER	F MOUNTING HOLE THREAD	G BACK OF FUEL LOCK TO CENTER OF FUEL OUTLET	H BACK OF FUEL LOCK TO CENTER OF VACUUM PORT	J AIR VALVE VACUUM PORT (NPT)	K FUEL OUTLET (NPT)	L FUEL INLET (NPT)	M PRIMER
US-VFF30-2	Silicone	109mm (4.28")	115mm (4.50")	66.7mm (2.625")	24mm (.94")	48mm (1.88")	1/4"-20	37mm (1.44")	32mm (1.25")	1/8"	1/4"	1/4"	No
US-VFF30-2-4	Silicone	109mm	115mm (4.50")	66.7mm (2.625")	24mm (.94")	48mm (1.88")	1/4"-20	37mm (1.44")	32mm (1.25")	1/8" w/ Check Valve	1/4"	1/4"	Manual
US-VFF30-3	Fluoro-Silicone	109mm	115mm (4.50")	66.7mm (2.625")	24mm (.94")	48mm (1.88")	1/4"-20	37mm (1.44")	32mm (1.25")	1/8"	1/4"	1/4"	No
US-VFF30-433 (CLARK PN: 3675433)	Silicone	109mm	114mm (4.50")	66.7mm (2.625")	24mm (.94")	48mm (1.88")	1/4"-20	37mm (1.44")	32mm (1.25")	1/8"	1/4"	1/4"	No