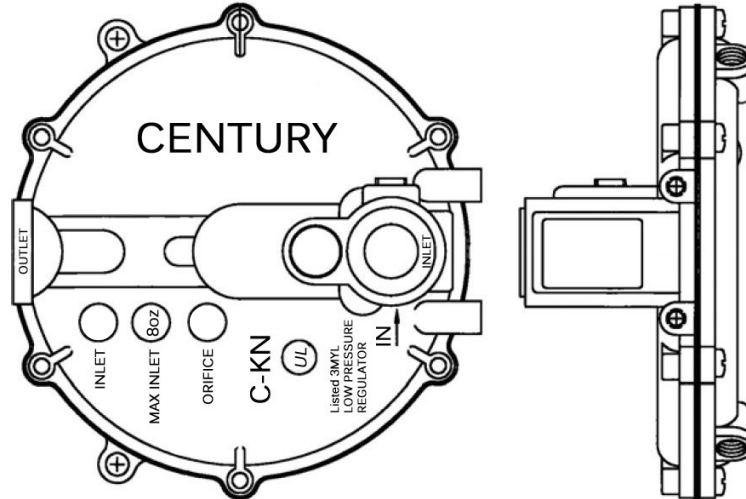




# CENTURY FUEL PRODUCTS

## MODEL C-KN REGULATOR



### TECHNICAL DESCRIPTION

The Model KN is a secondary regulator designed for maximum sensitivity and simple, trouble free operation. It is suitable for use with low pressure, Natural Gas and LPG Vapor Fuels. This regulator is typically used in service applications up to 30 kW (40 hp). A new high flow capacity unit is also available with a 1/2" orifice, suited for service applications up to 37 kW (50 hp). The KN regulator is completely rebuild-able, using a Century repair kit (PN: C-039-99).

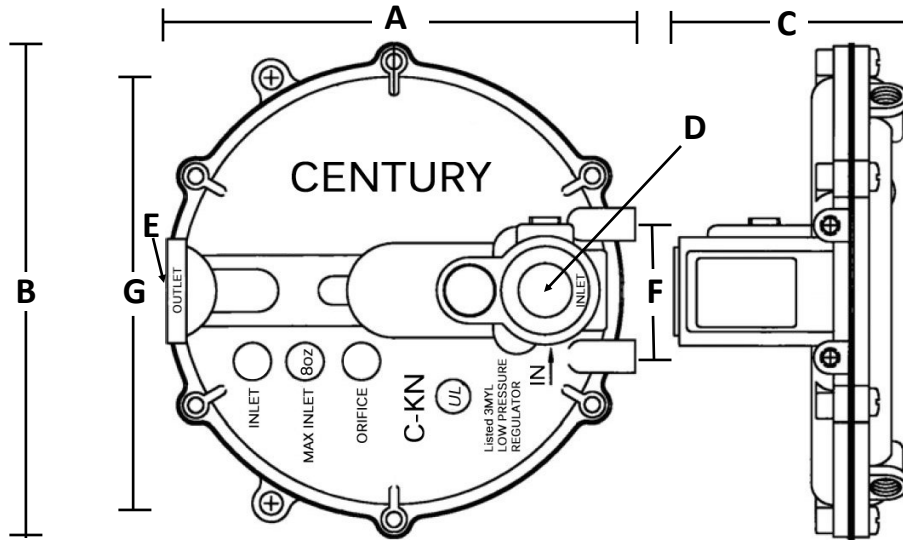
### TECHNICAL SPECIFICATIONS

Fuel Type .....	LPG Vapor or Natural Gas Vapor
Inlet Pressure	
Maximum .....	13.84" w.c. (3.44 kPa)
Nominal Outlet Pressure .....	-0.12 kPa (-0.5" or below w.c.)
Initial Flow Pressure .....	-0.05 to -0.35 w.c.
Horsepower Rating	
LPG (Standard) .....	40 hp (30 kW)
LPG (High Flow) .....	50 hp (37 kW)
Natural Gas (Standard) .....	25 hp (19 kW)
Natural Gas (High Flow) .....	30 hp (22 kW)
Operating Temperature Range .....	-40°F to +250°F (-40°C to +121°C)
Mounting Position .....	As close to the carburetor as possible with the arrow on the back over pointing up to minimize the effects of gravity on diaphragm travel. Horizontal position can be used when fuel contamination can be controlled with HD-5 or HD-10 specified LPG fuel.
Diaphragm Material .....	Silicone
Applications .....	Stationary
Certification .....	UL 3MYL



# CENTURY FUEL PRODUCTS

## MODEL C-KN REGULATOR



	A	B	C	D	E	F	G	H	I	J	K	L
PART#	OVERALL HEIGHT	OVERALL WIDTH	OVERALL DEPTH	INLET NPT	OUTLET NPT	MOUNT HOLES SIZE SPACING	MOUNT HOLES SIZE SPACING	MAX INLET PRESS.	SPRING	PRIMER	TAMPER RESIST	ORIFICE
C-039-0002	150mm (.6.18")	165mm (6.0")	78mm (3.06")	3/4" NPT	3/8" NPT	1/4" 20 UNC 44.5mm (1.75")	1/4" (6.35mm) 5.75" (146.0mm)	8 oz.	4 oz. (Red)	NO	YES	7/16" (11.1mm)
C-039-0004	150mm (.6.18")	165mm (6.0")	78mm (3.06")	3/4" NPT	3/8" NPT	1/4" 20 UNC 44.5mm (1.75")	1/4" (6.35mm) 5.75" (146.0mm)	8 oz.	6 oz. (Green)	NO	YES	7/16" (11.1mm)
C-039-0005	150mm (.6.18")	165mm (6.0")	78mm (3.06")	3/4" NPT	3/8" NPT	1/4" 20 UNC 44.5mm (1.75")	1/4" (6.35mm) 5.75" (146.0mm)	8 oz.	4 oz. (Red)	NO	YES	7/16" (11.1mm)
C-039-12	150mm (.6.18")	165mm (6.0")	78mm (3.06")	3/4" NPT	3/8" NPT	1/4" 20 UNC 44.5mm (1.75")	1/4" (6.35mm) 5.75" (146.0mm)	8 oz.	6 oz. (Green)	NO	NO	7/16" (11.1mm)
C-039-12-2	150mm (.6.18")	165mm (6.0")	78mm (3.06")	3/4" NPT	3/8" NPT	1/4" 20 UNC 44.5mm (1.75")	1/4" (6.35mm) 5.75" (146.0mm)	8 oz.	6 oz. (Green)	NO	YES	3/8" (9.5mm)
C-039-121	150mm (.6.18")	165mm (6.0")	78mm (3.06")	3/4" NPT	3/8" NPT	1/4" 20 UNC 44.5mm (1.75")	1/4" (6.35mm) 5.75" (146.0mm)	8 oz.	6 oz. (Green)	AUTO	NO	7/16" (11.1mm)
C-039-122	150mm (.6.18")	165mm (6.0")	78mm (3.06")	3/4" NPT	3/8" NPT	1/4" 20 UNC 44.5mm (1.75")	1/4" (6.35mm) 5.75" (146.0mm)	8 oz.	6 oz. (Green)	MANUAL	NO	7/16" (11.1mm)
C-039-31173	150mm (.6.18")	165mm (6.0")	78mm (3.06")	3/4" NPT	3/8" NPT	1/4" 20 UNC 44.5mm (1.75")	1/4" (6.35mm) 5.75" (146.0mm)	8 oz.	4 oz. (Red)	NO	YES	1/2" (12.7mm)
C-039-31173-1	150mm (.6.18")	165mm (6.0")	78mm (3.06")	3/4" NPT	3/8" NPT	1/4" 20 UNC 44.5mm (1.75")	1/4" (6.35mm) 5.75" (146.0mm)	8 oz.	4 oz. (Red)	MANUAL	YES	1/2" (12.7mm)