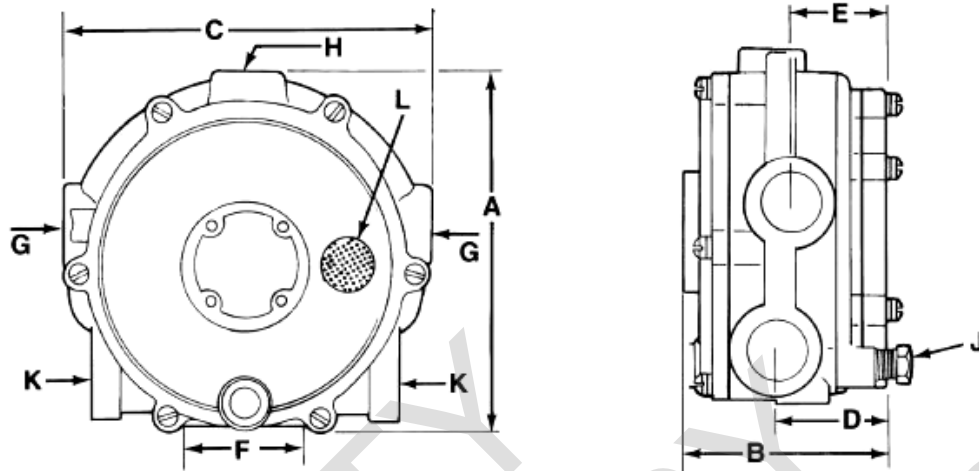




CENTURY FUEL PRODUCTS

MODEL C- J SERIES TWO-STAGE CONVERTER



REGULATOR DIMENSIONS

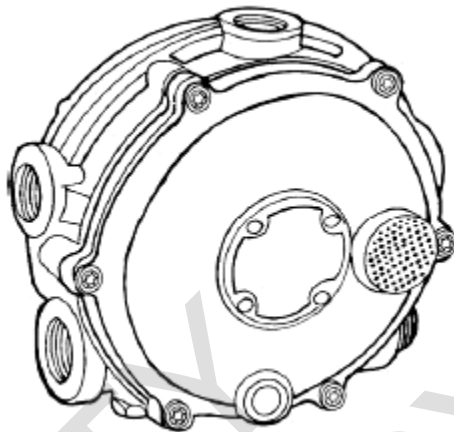
Overall Height	Overall Depth	Overall Width	Back of Regulator To Center Of Vapor Fuel Outlet	Back of Regulator To Center Of Water Outlet	Mounting Holes Center to Center	Coolant Inlet And Outlet NPT	Liquid Fuel Inlet NPT	Primary Test Port NPT	Vapor Fuel Outlet NPT	Vent Balance Line Connect. NPT
A	B	C	D	E	F	G	H	J	K	L
108mm (4.25")	73.00mm (2.88")	118mm (4.63")	41.3mm (1.63")	34.9mm (1.38")	41.3mm (1.63")	3/8"	1/4"	1/8"	1/2"	1/8"

Part Number	Description
C-JB-2	Regulator, Blue Spring, Silicone Diaphragm
C-JB-C-2	Regulator, Blue Spring, Silicone Diaphragm, w/ Check Valve
C-JB-P	Regulator, Blue Spring, Electric Primer, Silicone Diaphragm
C-JO-GA	Regulator, Orange Spring, Special Idle Control, Silicone Diaphragm
C-JO-2 (CLARK PN: 2356734)	Regulator, Orange Spring, Silicone Diaphragm
C-JO-C-2	Regulator, Orange Spring, 2mm Check Valve, Silicone Diaphragm
C-JO-P	Regulator, Orange Spring, Electric Primer, Silicone Diaphragm
C-JB-C140	Regulator, Blue Spring, 8mm Check Valve, Silicone Diaphragm
C-JB-L-549 (HYSTER PN: 213549)	Regulator, Blue Spring, Blue Diaphragm, Plug Left Side
C-JB-3 (Yale PN: 51707980)	Regulator, Blue Spring, Blue Diaphragm, Plug Right Side



CENTURY FUEL PRODUCTS

MODEL C- J SERIES TWO-STAGE CONVERTER



TECHNICAL DESCRIPTION

The **CENTURY Model C-J** Series converters are designed to provide maximum performance at all load requirements throughout its service life. Two vapor outlet pressures are available. The standard **C-JB** blue provides -1.5" w.c. (0.37 kPa). The optional C-JO provides -0.5" w.c. (0.12 kPa). The port size and mounting pad locations are identical to the **C-COBRA** regulator and include a primary pressure test port and "left" or "right" fuel outlets.

TECHNICAL SPECIFICATIONS

Fuel Type	LPG Liquid/Vapor
Inlet Pressure	
Maximum	312 psi (21.51 Bar)
Minimum Pressure	30 psi (207 kPa)
Nominal Outlet Pressure	
Standard (blue spring)	-1.5" w.c. (-0.37 kPa)
Optional (orange spring)	-0.5" w.c. (-0.12 kPa)
HP/kW	100 hp (75 kW)
Operating Temperature Range	-40°F to +250°F (-40°C to +121°C)
Fuel Filtration	40 micron
Heating Chamber Source	Required for liquid LPG
Mounting Position	Vertical recommended. Horizontal position can be used when fuel contamination can be controlled with HD-5 or HD-10 specified LPG fuel.
Applications	Mobile, stationary, industrial and automotive