



CENTURY FUEL PRODUCTS

MODEL US- COBRA SERIES TWO-STAGE CONVERTER



TECHNICAL DESCRIPTION

The **CENTURY US-COBRA** regulator/vaporizer delivers superior performance and excellent pressure output consistency. US-COBRA offers greater service life and is ideal for applications with controlled emissions. Its primary pin design and fluorosilicone diaphragm offer superior chemical resistance, resistance to over pressurization, and cold weather operation. Use of the standard blue secondary spring provides -1.5" w.c. (0.37 kPa). The optional orange secondary spring, provides -0.5" w.c. (0.12 kPa) output.

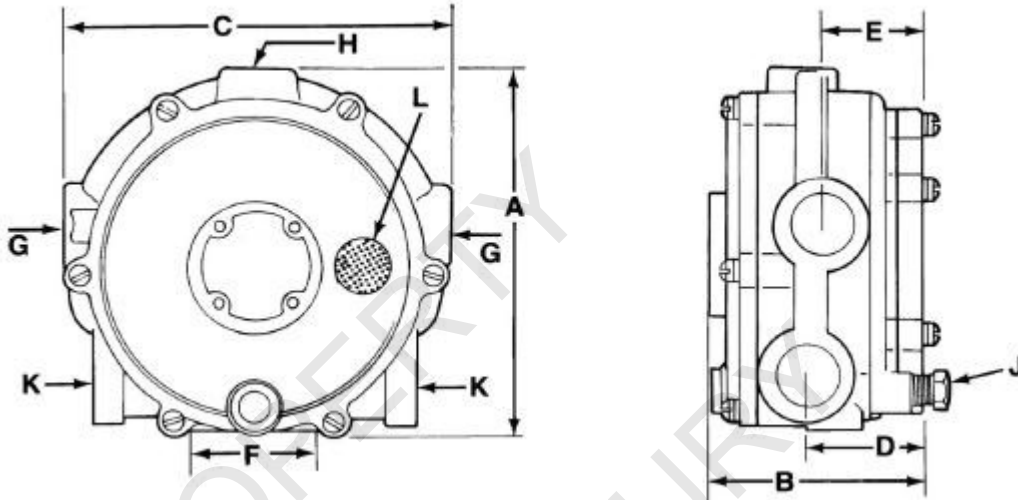
TECHNICAL SPECIFICATIONS

Fuel Type	LPG Liquid/Vapor
Inlet Pressure	
Maximum	312 psi (21.51 Bar)
Minimum Pressure	30 psi (207 kPa)
Nominal Outlet Pressure	
Standard (blue spring)	-1.5" w.c. (-0.37 kPa)
Optional (orange spring)	-0.5" w.c. (-0.12 kPa)
HP/kW	100 hp (75 kW)
Operating Temperature Range	-40°F to +250°F (-40°C to +121°C)
Fuel Filtration	40 micron
Heating Chamber Source	Required for liquid LPG
Mounting Position	Vertical recommended. Horizontal position can be used when fuel contamination can be controlled with HD-5 or HD-10 specified LPG fuel.
Diaphragm Material.....	Silicone and fluorosilicone
Applications	Mobile, stationary, industrial and automotive



CENTURY FUEL PRODUCTS

MODEL US- COBRA SERIES TWO-STAGE CONVERTER



US-COBRA REGULATOR DIMENSIONS

Overall Height	Overall Depth	Overall Width	Back of Regulator To Center Of Vapor Fuel Outlet	Back of Regulator To Center Of Water Outlet	Mounting Holes Center to Center	Coolant Inlet And Outlet NPT	Liquid Fuel Inlet NPT	Primary Test Port NPT	Vapor Fuel Outlet NPT	Vent Balance Line Connect. NPT
A	B	C	D	E	F	G	H	J	K	L
108mm (4.25")	70.3mm (2.781")	117mm (4.625")	41.3mm (1.625")	34.9mm (1.375")	41.3mm (1.625")	3/8"	1/4"	1/8"	1/2"	1/8"

Part Number	Description
US-COBRA	Regulator Assembly, Cobra Converter
US-CB-30712-002 (CLARK PN: 8030248)	Cobra Assembly, Primerless, -0.5" w.c. (0.12 kPa)